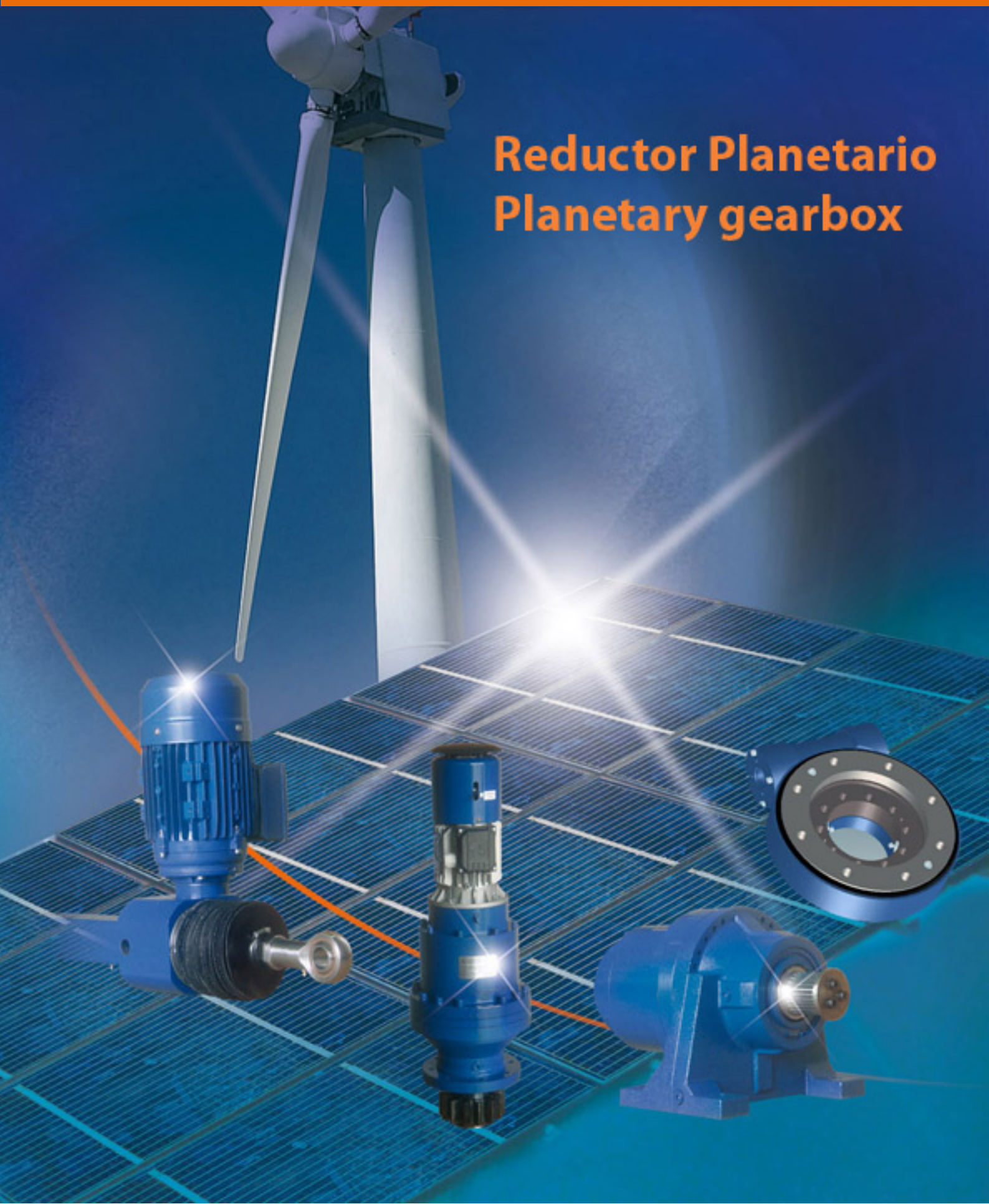
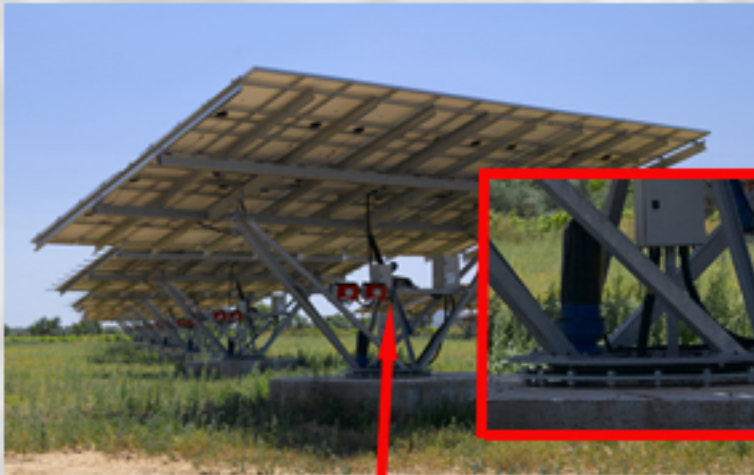


# Reductor Planetario Planetary gearbox



# SOLAR TRACKING COMPONENTS

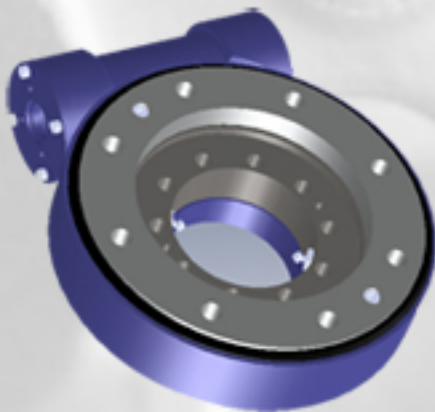
2 AXIS SOLAR TRACKER



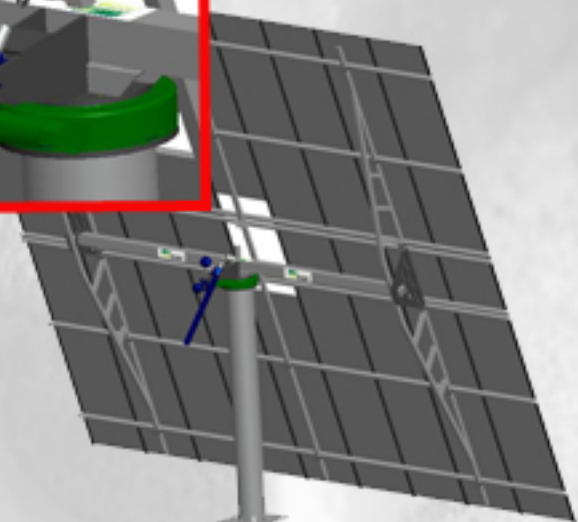
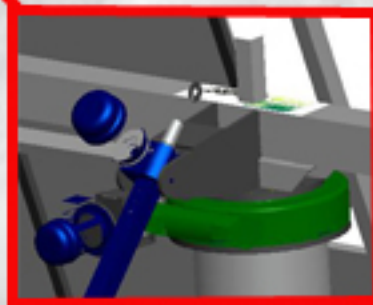
PLANETARY GEARBOX



SCREW JACK



SLEW DRIVE



2 AXIS SOLAR TRACKER

## Solar Application Line

### PLANETARY GEARBOX



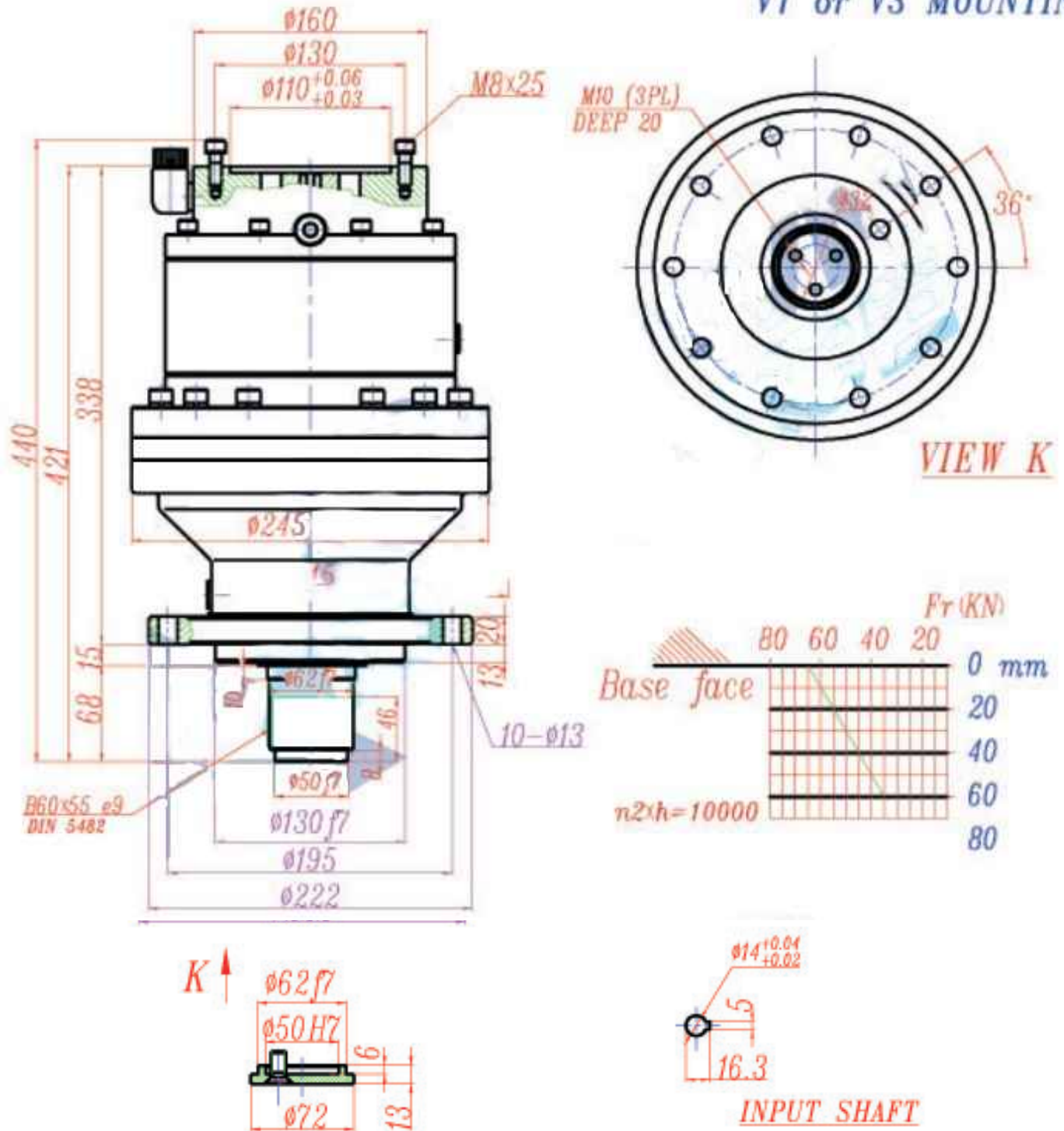
#### Technical characteristics:

- Ratio 1/1500 in 4 stages.
- Output torque 2400Nm at 10.000 hours service
- Peak torque 4600Nm
- Efficiency 90%
- Input power 0,25KW at 1500rpm.
- Radial load on the output shaft 40KN.
- Splined output shaft (other options available)
- Pinion on the output shaft modul 8 with 14 teeth (other options available)
- Electric motor 0,25KW 4 poles 220/380V IP55 disc brake stainless steel

This is the standard option applied in solar followers.  
We produce a complete range of planetary gearboxes and we are able to produce special design according customer requirements.

# BEP303L4-1500-MZ-IEC71B5(080516)

V1 or V3 MOUNTING



## TECHNICAL SPECIFICATIONS:

- 1, RATIO 1500:1, INPUT SPEED 1400rpm, OUTPUT SPEED 0.93rpm
- 2, INPUT MOTOR TYPE: IEC 71B5
- 3, NOMINAL TORQUE 2400N.m, LIFE 10000 h, SAFETY FACTOR S=1
- 4, MAX. TORQUE 4600N.m